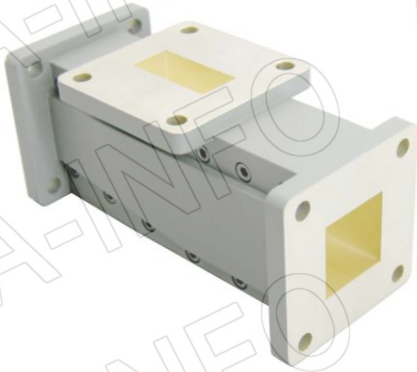
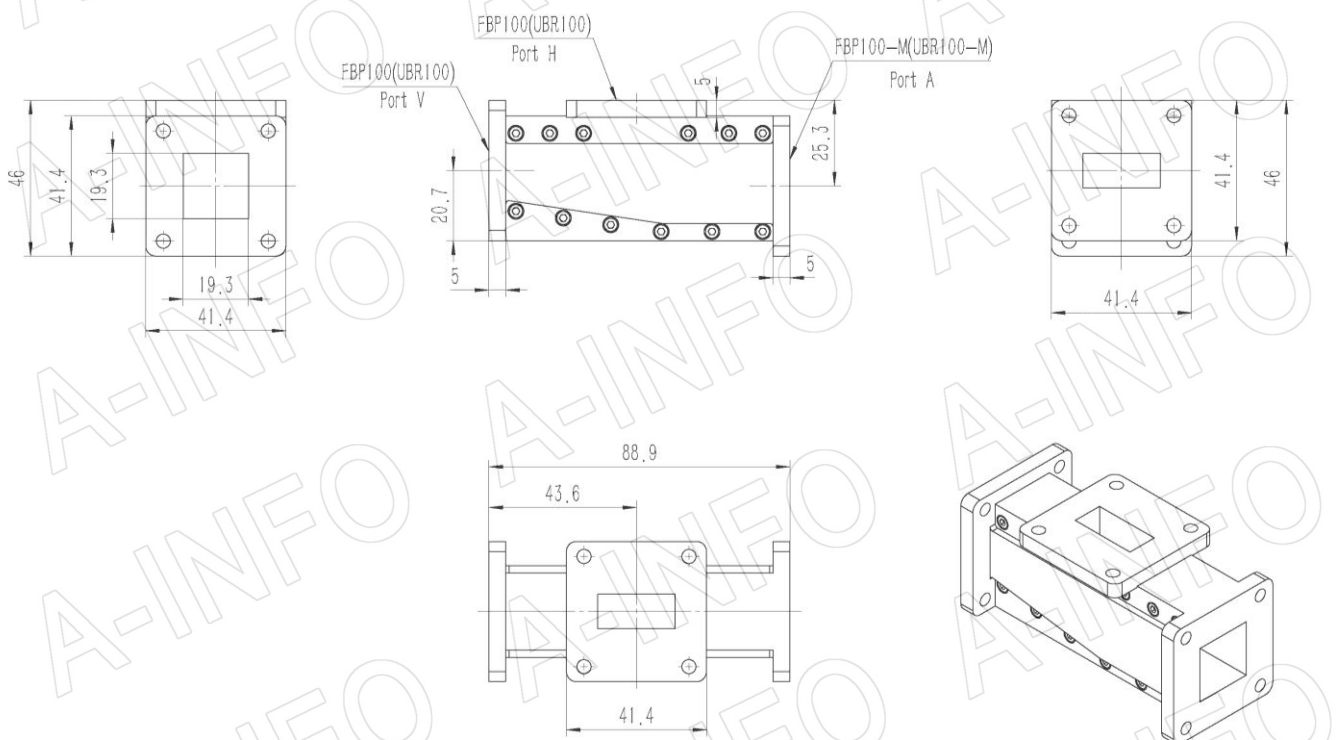


## Technical Specification



EIA WR	WR90
Frequency Range(GHz)	8.2 - 10.8
Bandwidth	Full
Common Port	19.3mm Square WG
Insertion Loss(dB)	0.2 Max.
VSWR	1.30:1 Typ.
Port to Port Isolation(dB)	45 Min.
Common Port Flange	FBP100-M(UBR100-M)
Flange	FBP100(UBR100)
Material	Al
Size(mm)	88.9 x 41.4 x 46
Net Weight(Kg)	0.2 Around

## Outline Drawing (Size: mm)



AINFO Inc.

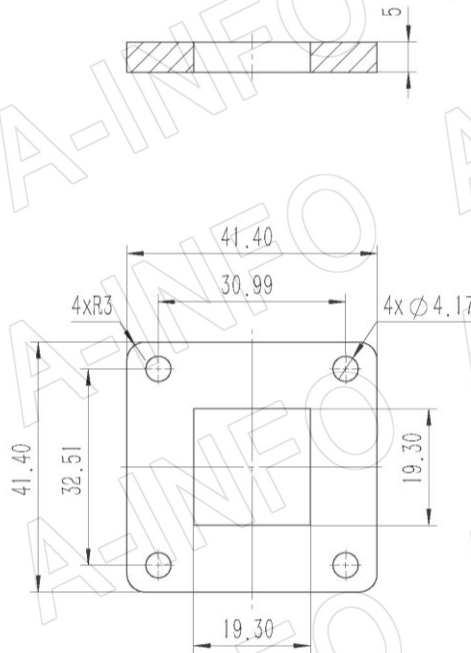
Page 1 of 5

China(Beijing): Tel: (+86) 10-6266-7326,  
China(Chengdu): Tel: (+86) 28-8519-2786,  
USA: Tel: (+1) 949-639-9688,

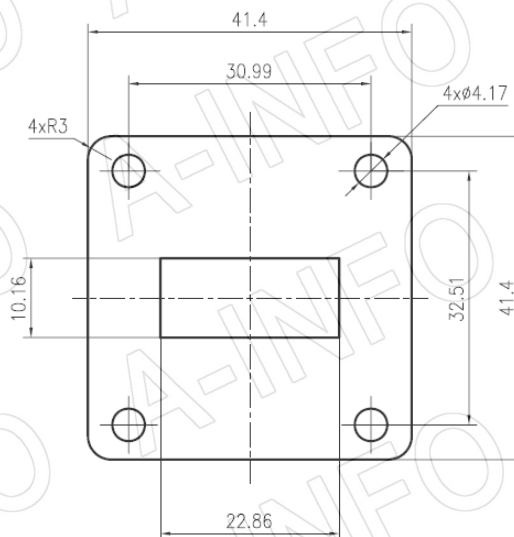
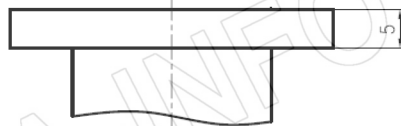
(+86) 10-6266-7327 Fax: (+86) 10-6266-7379  
(+86) 28-8519-3044 Fax: (+86) 28-8519-3068  
(+1) 949-639-9608 Fax: (+1) 949-639-9670

Website: [www.ainfoinc.com](http://www.ainfoinc.com)  
Email: [sales@ainfoinc.com](mailto:sales@ainfoinc.com)

## Flange Drawing (Size: mm)



FBP100-M



FBP100

AINFO Inc.

Page 2 of 5

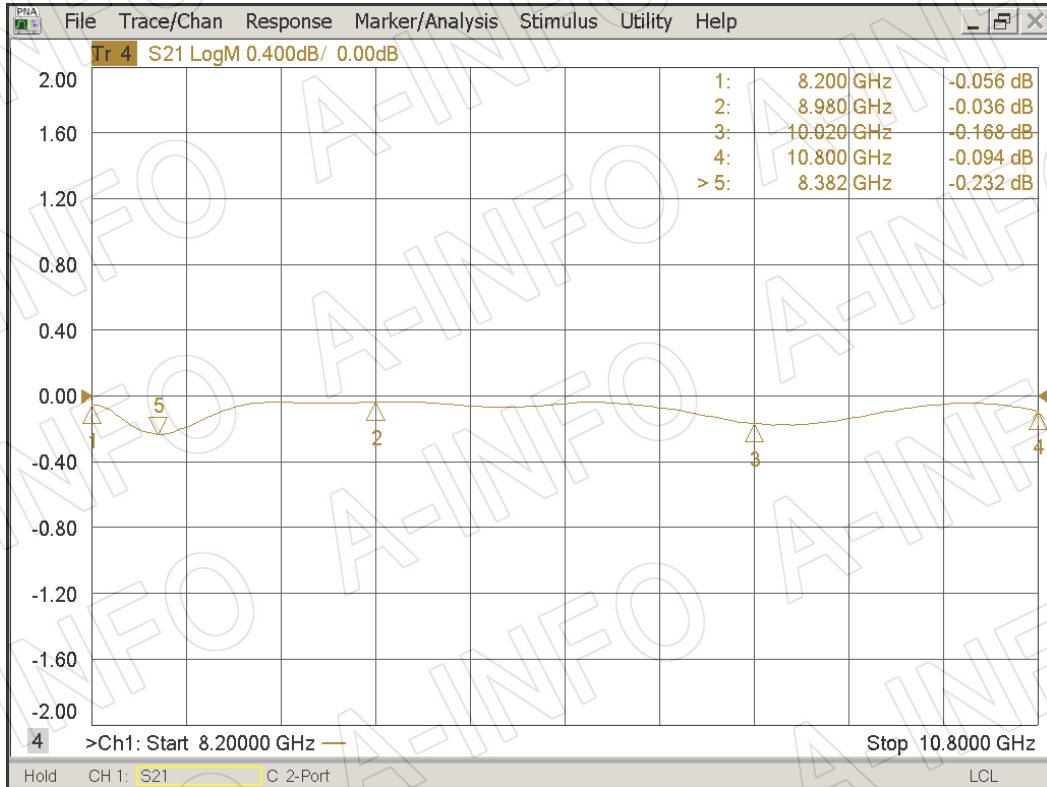
China(Beijing): Tel: (+86) 10-6266-7326,  
 China(Chengdu): Tel: (+86) 28-8519-2786,  
 USA: Tel: (+1) 949-639-9688,

(+86) 10-6266-7327 Fax: (+86) 10-6266-7379  
 (+86) 28-8519-3044 Fax: (+86) 28-8519-3068  
 (+1) 949-639-9608 Fax: (+1) 949-639-9670

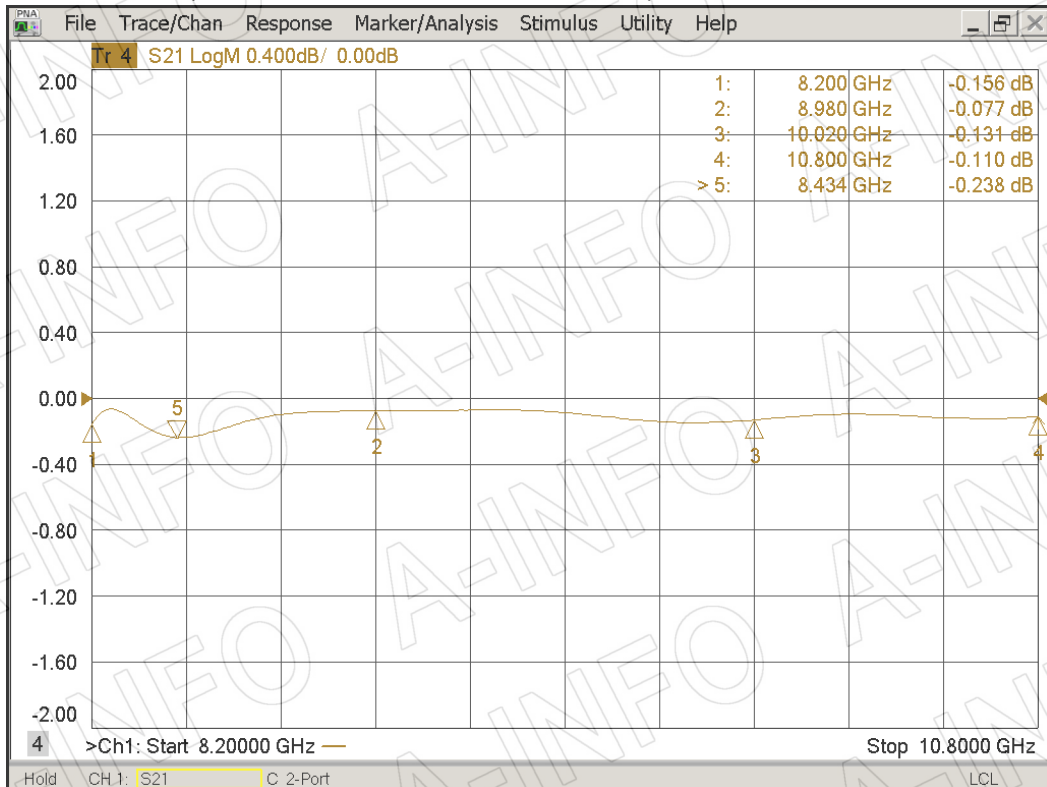
Website: [www.ainfoinc.com](http://www.ainfoinc.com)  
 Email: [sales@ainfoinc.com](mailto:sales@ainfoinc.com)

## Test Results

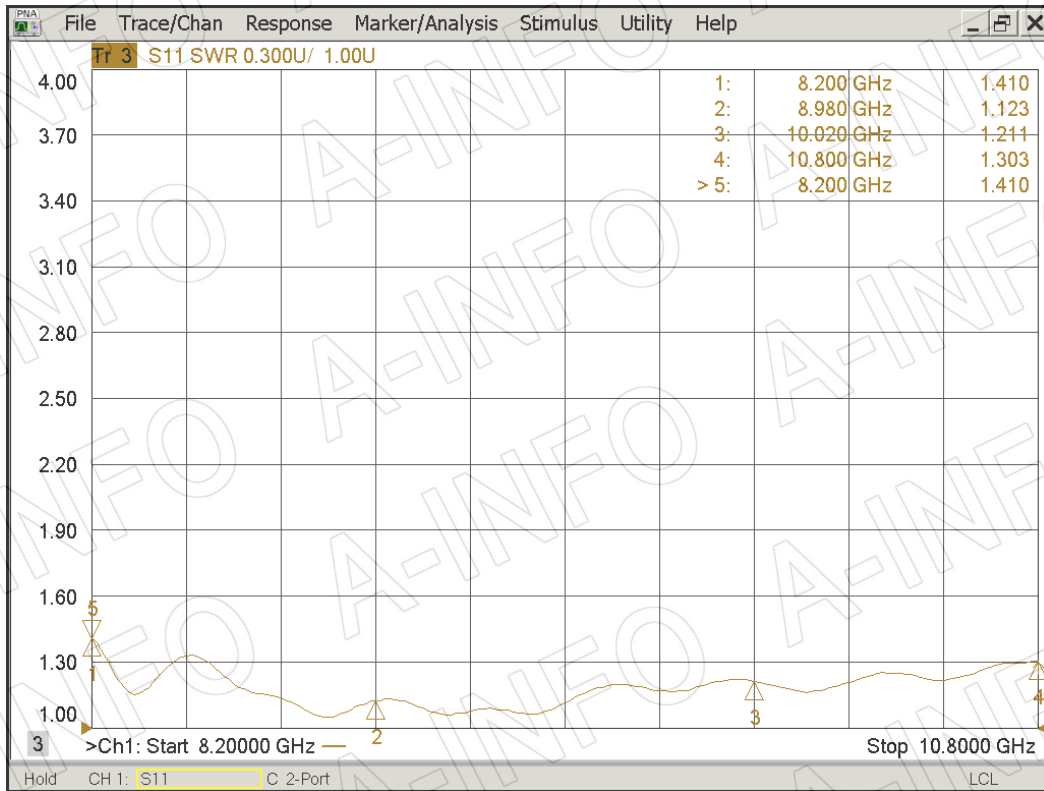
### Port H\_ Insertion Loss(Test with two OMT back to back)



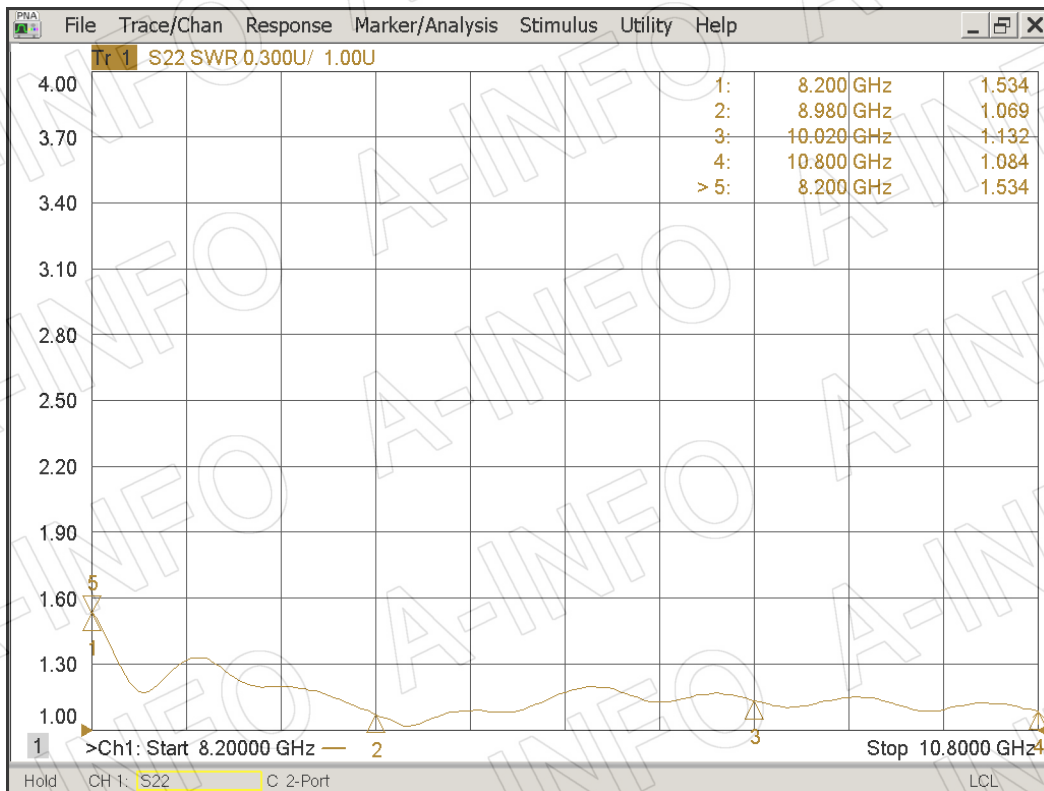
### Port V\_ Insertion Loss(Test with two OMT back to back)



## Port H\_VSWR



## Port V\_VSWR





## Port to Port Isolation

